

STAINLESS-STEEL VENTED



Indirect & direct vented stainless-steel hot water storage cylinders.

Telford stainless-steel vented hot water storage cylinders are manufactured from Duplex stainless-steel and are available as indirect or direct options. Suitable up to G2 specification, the cylinders are supplied with 22mm compression fittings and 1 3/4" immersion heater bosses as standard.

FEATURES & BENEFITS

- ✓ Duplex stainless-steel provides superior corrosion resistance
- ✓ Fully insulated with 35mm foam to minimise any heat loss
- ✓ 22mm compression fittings
- ✓ 1 3/4" immersion heater bosses
- ✓ Tappings equivalent to copper standard BS1566:2002 (Part L)
- ✓ Secondary return fitted as standard (IDH3 pattern code)
- ✓ Cost-effective vented option
- ✓ Ideal for retro-fit applications
- ✓ Available in 96 - 206 litre capacities
- ✓ Attractive blue finish
- ✓ Easy to install
- ✓ 10 year manufacturing warranty*

*Terms & conditions apply

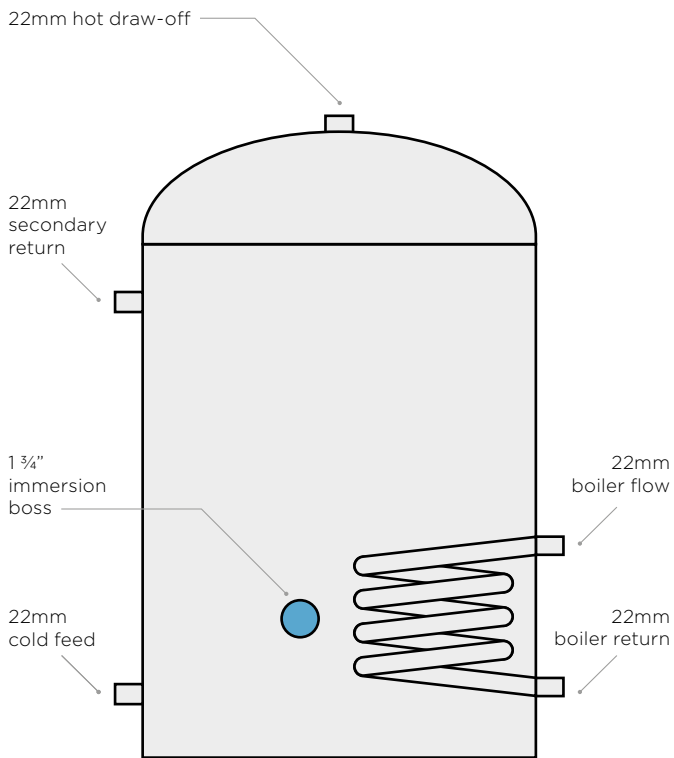


THE HOT WATER STORAGE SPECIALISTS
— EST. 1989 —

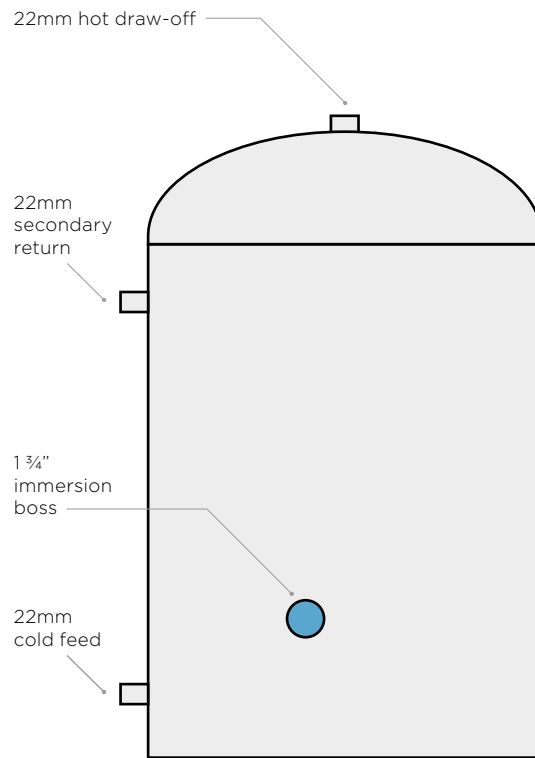
STAINLESS-STEEL VENTED

TECHNICAL DATA

Vented Indirect



Vented Direct



Capacity (L)	96	114	117	140	162	206
Height (mm)*	900	1050	900	1050	1200	1500
Diameter (mm)*	400	400	450	450	450	450
Indirect Code	VSI09040VF	VSI10540VF	VSI09045VF	VSI10545VF	VSI12054VF	VSI15045VF
Direct Code	VSD09040VF	VSD10540VF	VSD09045VF	VSD10545VF	VSD12045VF	VSD15045VF

*All dimensions are based on the cylinder shell only, insulation is not included

Telford Copper & Stainless-steel Cylinders Ltd

Unit 22, Furrows Business Park, Haybridge, Telford TF1 2FE
T +44 (0)1952 257 961 | E sales@telford-group.com

www.telford-group.com