

# TEMPEST DIRECT



## Direct unvented stainless-steel hot water storage cylinder with external expansion vessel design.

Tempest Direct hot water storage cylinders are particularly suited to smaller properties where electricity is the only available heat source. Manufactured from Duplex stainless steel, the cylinders are supplied with two, factory-fitted 3kW immersion heaters which provide the option of heating water on different schedules, tariffs and configurations.

### FEATURES & BENEFITS

- ✓ Duplex stainless steel provides superior corrosion resistance
- ✓ 316L grade stainless-steel 22mm compression fittings and coils
- ✓ Supplies mains pressure hot water and high flow rates
- ✓ Fast reheat
- ✓ Factory-fitted temperature and pressure relief valve set at 7 bar / 90°C
- ✓ Remote expansion vessel with factory-fitted wall mounting bracket
- ✓ Full unvented kit supplied
- ✓ Highly efficient
- ✓ Fully insulated to minimise any heat loss
- ✓ 2 x factory-fitted 3kW immersion heaters
- ✓ Available in 90-300 litre capacities
- ✓ Lifetime manufacturing warranty on inner container (2 years on components)
- ✓ Renewable and bespoke options available



LIFETIME  
WARRANTY

### Supplied with:

- ✓ Acetal tundish
- ✓ Inlet control group
- ✓ External expansion vessel with bracket
- ✓ Temperature & pressure relief valve\*
- ✓ Immersion heater 2 x 3kW\*

\*Factory-fitted

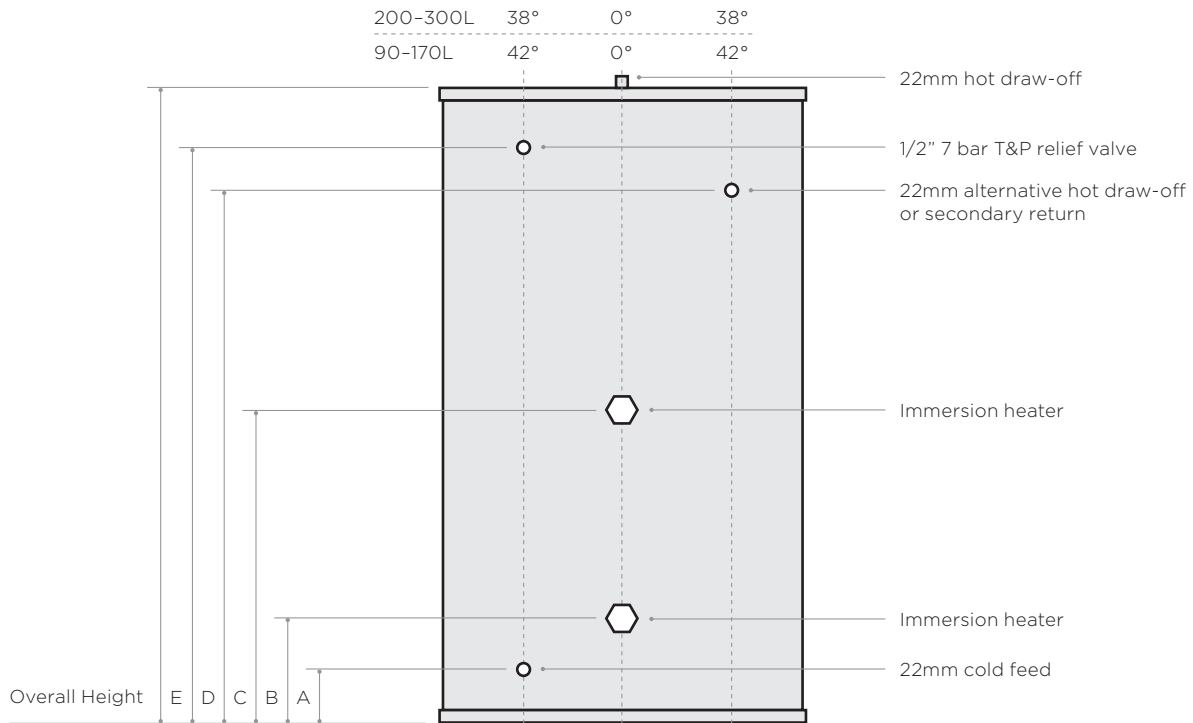


THE HOT WATER STORAGE SPECIALISTS

— EST. 1989 —

# TEMPEST DIRECT

## TECHNICAL DATA



Capacity (L)	90	125	150	170	200	250	300
Height (mm)	750	935	1060	1200	1120	1330	1650
Diameter (mm)	510	510	510	510	580	580	580
A (mm)	170	170	170	170	195	195	195
B (mm)	200	200	200	200	225	225	225
C (mm)	410	410	620	620	645	645	645
D (mm)	-	-	-	-	815	975	1255
E (mm)	550	750	880	1030	930	1140	1435

Capacity (L)	90	125	150	170	200	250	300
Reheat from cold (minutes)	52	72	86	98	108	144	202
Reheat from 75% draw-off (minutes)	27	37	45	51	63	75	136
ERP Rating*	C	C	C	C	C	C	C
Immersion Rating (kW)	2 x 3	2 x 3	2 x 3	2 x 3	2 x 3	2 x 3	2 x 3
Standing Heat Loss (kWh/24hrs)	1.37	1.48	1.72	1.92	2.04	2.16	2.32

\*Based on thermostat set a 60°C

### Telford Copper & Stainless Steel Cylinders Ltd

Unit 22, Furrows Business Park, Haybridge, Telford TF1 2FE  
T +44 (0)1952 257 961 | E sales@telford-group.com

[www.telford-group.com](http://www.telford-group.com)