

TEMPEST HEAT PUMP



Indirect unvented stainless-steel hot water storage cylinder with external expansion vessel design.

Tempest Heat Pump hot water storage cylinders are designed for use with an air or ground source heat pump as the main heat source. They feature a purpose-designed coil with a 3.3m² surface area to allow maximum heat transfer of renewable energy into the stored water. Manufactured from Duplex stainless-steel, the cylinders are supplied with a factory-fitted 3 kW immersion heater to provide back-up heat.

FEATURES & BENEFITS

- ✓ Duplex stainless steel provides superior corrosion resistance
- ✓ 316L grade stainless-steel 22mm compression fittings and coils
- ✓ Supplies mains pressure hot water and high flow rates
- ✓ Fast reheat
- ✓ Factory-fitted temperature and pressure relief value set at 7 bar / 90°C
- ✓ Remote expansion vessel with factory-fitted wall mounting bracket
- ✓ Full unvented kit supplied
- ✓ Highly efficient
- ✓ Fully insulated to minimise any heat loss
- ✓ Factory-fitted 3kW immersion heater*
- ✓ Twin coil option available for use with a traditional boiler and solar thermal
- ✓ Available in 200-500 litre capacities
- ✓ Lifetime manufacturing warranty on inner container (2 years on components)
- ✓ Renewable and bespoke options available

*250-500 litre cylinders supplied with additional off-peak immersion heater



LIFETIME
WARRANTY



Supplied with:

- ✓ Acetal tundish
- ✓ Inlet control group
- ✓ Two port valve
- ✓ External expansion vessel with bracket
- ✓ Dual probe thermostat
- ✓ Temperature & pressure relief valve*
- ✓ 3kW immersion heater(s)*

*Factory-fitted

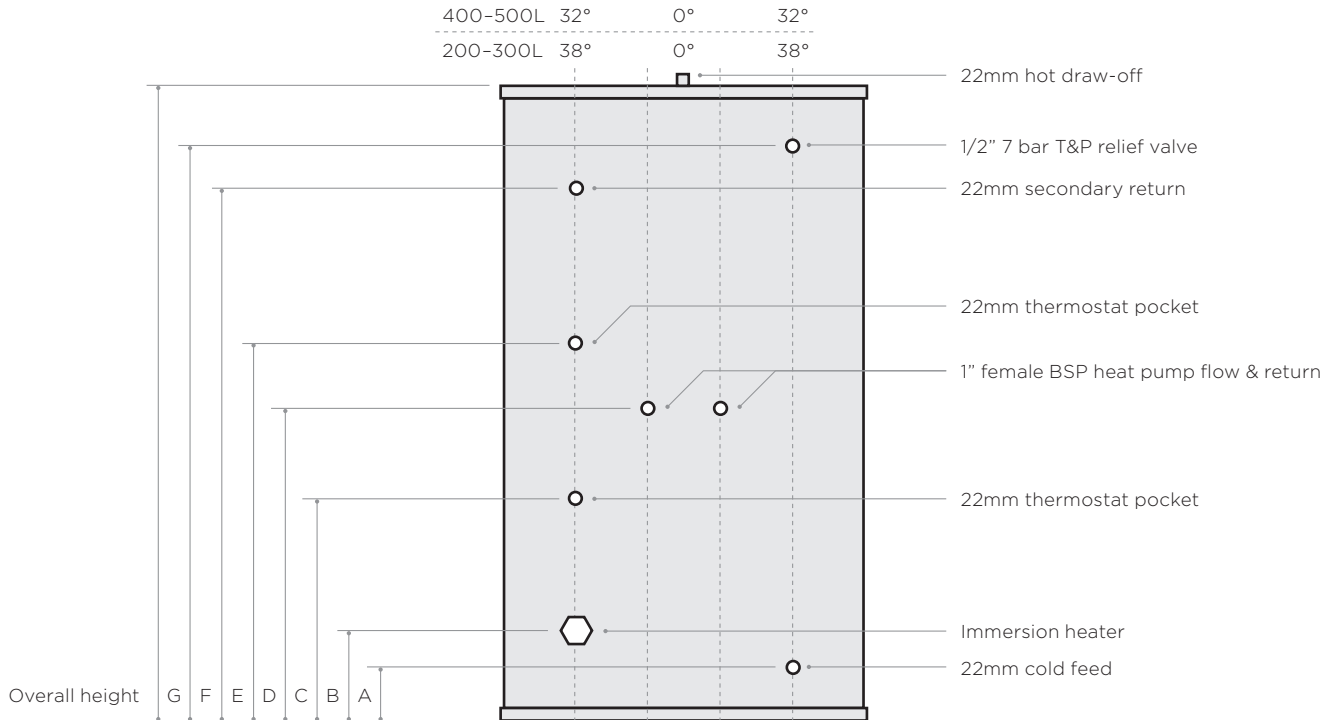


THE HOT WATER STORAGE SPECIALISTS

EST. 1989

TEMPEST HEAT PUMP

TECHNICAL DATA



Capacity (L)	200	250	300	400	500
Height (mm)	1500	1800	1650	1590	1835
Diameter (mm)	554	554	580	710	710
A (mm)	171	171	195	240	240
B (mm)	201	201	225	270	270
C (mm)	576	576	598	645	696
D (mm)	901	901	923	740	831
E (mm)	971	971	993	810	901
F (mm)	1223	1485	1312	1240	1381
G (mm)	1323	1635	1461	1340	1581

Capacity (L)	200	250	300	400	500
ASHP Coil Surface Area (m ²)	3.3	3.3	3.3	3.3	3.3
ERP Rating*	C	C	C	C	C
Immersion Rating (kW)	3	3	3	3	3
Standing Heat Loss (kWh/24hrs)	2.04	2.16	2.32	2.58	2.81

*Based on thermostat set a 60°C

Telford Copper & Stainless Steel Cylinders Ltd

Unit 22, Furrows Business Park, Haybridge, Telford TF1 2FE
T +44 (0)1952 257 961 | E sales@telford-group.com

www.telford-group.com