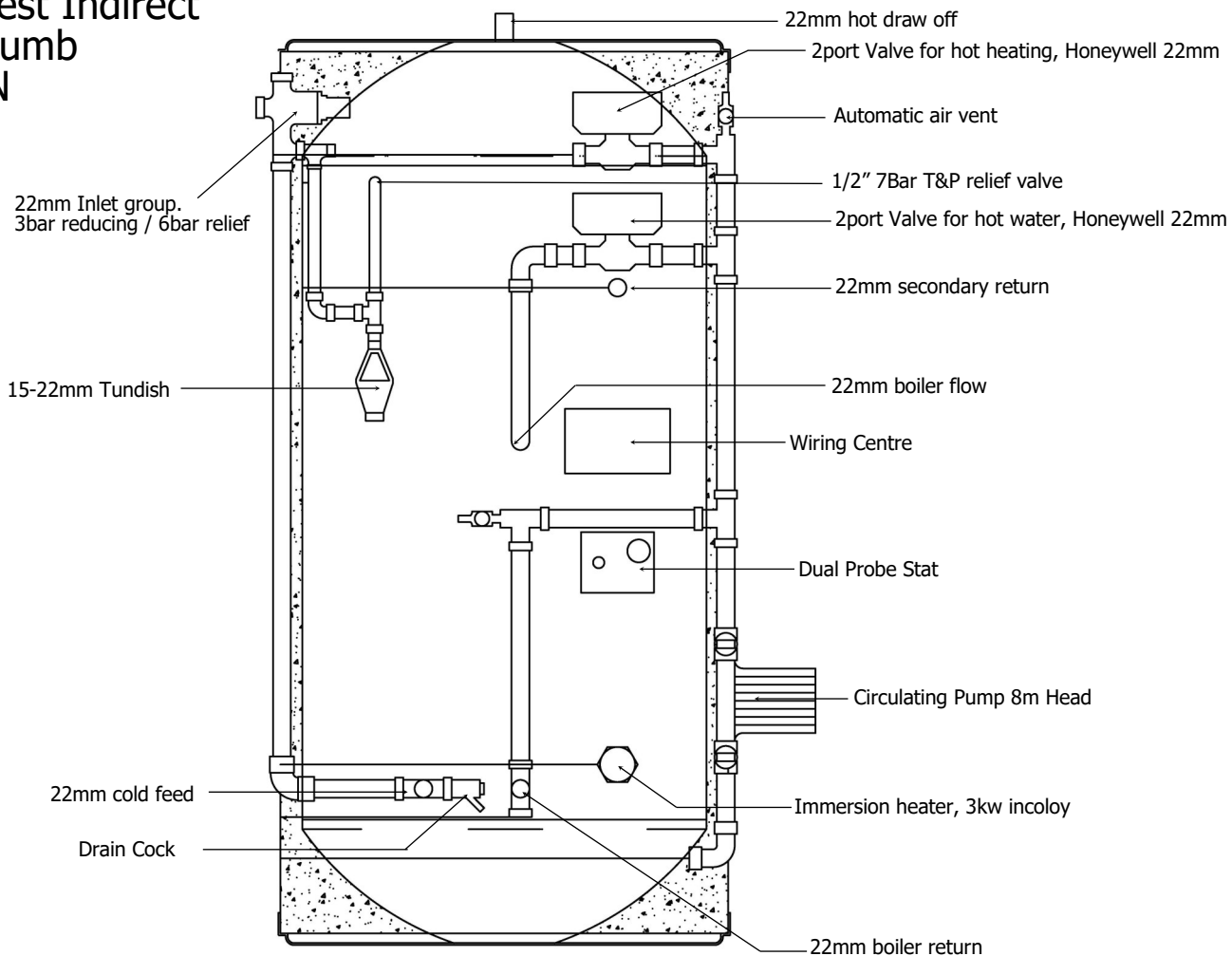


# Technical Data Sheet

## Tempest Indirect Pre-Plumb SPLAN



Parts Supplied Loose:  
 1 x Room Stat  
 1 x 7day 2channel programmer  
 1 x Potable expansion vessel to suit  
 1 x Installation manual

Capacity (L)	90	125	150	170	200	250	300	400	500
Height (mm)	750	870	1060	1200	1150	1500	1750	1590	1835
Diameter (mm)	510	510	510	510	580	580	580	660	660

Capacity (L)	90	125	150	170	200	250	300	400	500
Reheat from cold (minutes)	26	36	37	36	33	35	40	45	50
Reheat from 70% draw-off (minutes)	18	25	6	25	24	25	29	35	40
ERP Band	C	C	C	C	C	C	C	C	C
Immersion Rating (kw)	3	3	3	3	3	3	3	3	3
Standing Heat Loss (kwh/24hrs)	1.37	1.48	1.72	1.92	2.04	2.16	2.32	2.58	2.81

